

LED FLOOD LIGHTING

Envirolux Circular Floodlight

Envirolux

NEW



The Envirolux Circular Floodlight range provides low maintenance and efficient and effective area lighting from 500W to 1200W LED. The diameter is only 440mm making it very convenient as a direct replacement for traditional HID fixtures using existing masts/poles, wiring and mounting arms.

INTEGRATED
SMART
TECHNOLOGY

Applications

- Sports fields, car parks, seaports, railyards, etc.

Electrical

- 500W - 1200W
- IP66 rated fixture
- System efficiency 120 lm/w, 10kV surge protection used as standard, 20kV available on request
- Class 1 insulated
- Input voltage 100-277 VAC, 50/60Hz standard, high voltage 180-528 VAC, 50/60Hz available
- Ambient operating temperature -40 to +50 Degrees Celsius
- Remote Driver

LED & Optical Performance

- High quality PC lens, UV resistant.
- Available with 3 beam angles 15, 25 & 45, plus 3 glare shield options. Small-size visor supplied as standard
- LM80 > 100,000 hours
- CRI 70/80RA
- CCT available from 2,700 - 7,000K but 4000K standard.

Mounting

- Fixture comes with a U bracket as standard, but other mounting options are available on request.
- Very low windage area (EPA) and lightweight design.

Finish

- Black powder coated.

Housing

- Low copper die cast aluminum housing.
- Hollow design allows excellent heat dissipation.

**LIGHT
SOURCE
SOLUTIONS**



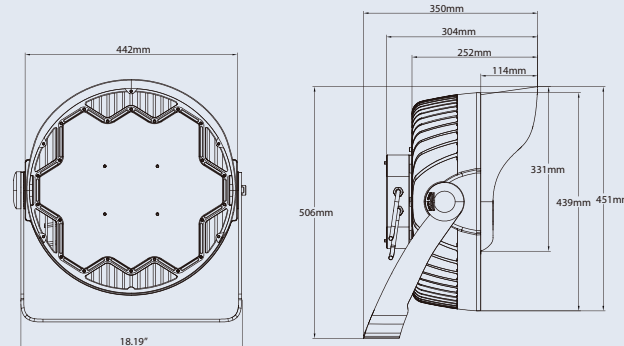
Light Source Solutions Roadway
Ph 1300 497 221 | Fax 1300 425 456 www.lightourcesolutions.com.au
Get in touch via email Roadwaysales@lightourcesolutions.com.au

GE is a trademark of General Electric Company and is under license by Light Source Solutions and Light Source Solutions New Zealand Ltd.

LED ROADWAY LIGHTING

Envirolux Circular Floodlight

Envirolux



Order logic

Description	Power (W)	CCT	Lumen Output	Beam Angle	Visor	Weight (complete fixture)	Weight (remote driver)
ELC 500N15SV	500W	4000K	60,000	15	Small	25kg	18kg
ELC 600N15SV	600W	4000K	72,000	15	Small	25kg	18kg
ELC 800N15SV	800W	4000K	96,000	15	Small	27.6kg	18kg
ELC 1000N15SV	1000W	4000K	120,000	15	Small	32kg	18kg
ELC 1200N15SV	1200W	4000K	144,000	15	Small	32kg	18kg
ELC 500N25SV	500W	4000K	60,000	25	Small	25kg	18kg
ELC 600N25SV	600W	4000K	72,000	25	Small	25kg	18kg
ELC 800N25SV	800W	4000K	96,000	25	Small	27.6kg	18kg
ELC 1000N25SV	1000W	4000K	120,000	25	Small	32kg	18kg
ELC 1200N25SV	1200W	4000K	144,000	25	Small	32kg	18kg
ELC 500N45SV	500W	4000K	60,000	45	Small	25kg	18kg
ELC 600N45SV	600W	4000K	72,000	45	Small	25kg	18kg
ELC 800N45SV	800W	4000K	96,000	45	Small	27.6kg	18kg
ELC 1000N45SV	1000W	4000K	120,000	45	Small	32kg	18kg
ELC 1200N45SV	1200W	4000K	144,000	45	Small	32kg	18kg

Accessories

- ELC SD Sighting Device
- ELC EB Electrical Box
- ELC MSV Mid-size visor
- ELC BSV Big-size visor