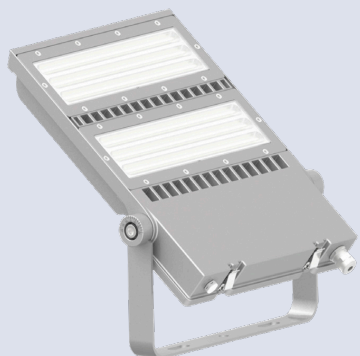


LED ROADWAY LIGHTING

GE Area Lighter



NEW



The GE Area Lighter is a compact floodlight with a range of lumen packages and mounting configurations to best optimize area light applications, as well as providing versatility in lighting design within the same form-factor. Suitable for sporting arenas such as tennis/netball/basketball courts, car parks, security lighting, pedestrian crossing lighting with Full 'smart' compatibility with integral 7-pin NEMA socket and DALI dimmable driver.

INTEGRATED
SMART
TECHNOLOGY

Applications

- Area lighting
- Pedestrian crossings

Electrical

- 75-240W
- IP66 rated fitting
- System efficiency 140 Lm/w
- 20kV/10kA integral Surge Protection Device.

Controls

- DALI dimmable
- 7-pin NEMA socket (Shorting Cap supplied)
- Smart enabled/remotely controllable

LED & Optical Performance

- Asymmetrical and Symmetrical light distribution
- Lumen Output range 10500 -33600lm
- CCT 4000K @ 70 CRI
- Optional diffused lenses providing effective glare control

Mounting

- Standard and long trunnion arm option available allowing 360-degree rotation of luminaire

Finish

- Corrosion resistant polyester powder paint
- Standard colours: grey
- Custom colours available on request

Housing

- Weight 4.58kg - 6.7kg
- Die cast aluminum housing, optional LM6 available
- IK10 impact rated
- Lightweight and sleek industrial design with a robust construction

LED ROADWAY LIGHTING

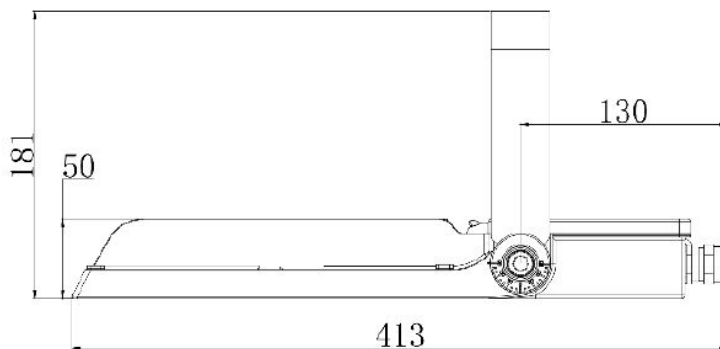
GE Area Lighter



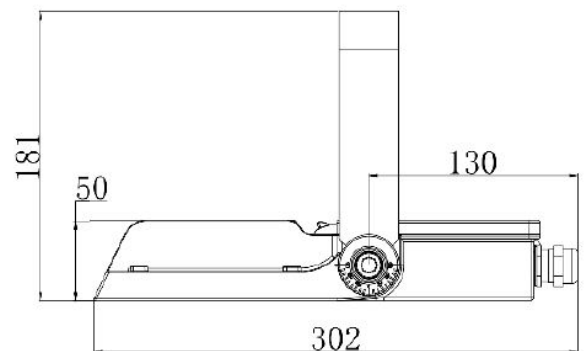
Fixture dimensions (mm)

Models	L (mm)	H (mm)	D (mm)
75W/100W/150W	302	373	50
200W/240W	413	373	50

Double Module (200W to 240W)



Single Module (70W - 150W)



Product ID	Beam Angle	CCT	Wattage	Light Beam	LPW	Finish Colour	Pe Cell	Trunnion Arm
ALU = LED Area Lighter	AS = Asymmetrical S = Symmetrical	N = 4000K CR = 5700K	75 = 75W 100 = 100W 150 = 150W 200 = 200W 240 = 240W	ANB - Asym. Narrow Beam AWB - Asym. Wide Beam SNB = Sym. Narrow Beam SWB = Sym. Wide Beam	H = 140lm/w	SG = RAL9007	0 = No 1 = Yes	St = Standard Lt = Long