

LED POST TOP LIGHTING

Navona Gen 2



INTEGRATED
SMART
TECHNOLOGY

Navona is a LED solution to replace traditional fixtures in parks, pedestrian areas and city centres. Timeless design incorporates the aesthetic necessities with the optimal optical distribution, providing several lumen packages with symmetrical and asymmetrical distribution and a power range from 16W to 72W to meet a wide range of lighting scenarios.

Navona offers a major increase in both vertical and horizontal uniformity. Combined with the high chromatic reproduction contributed by LED technology (white light), this uniform quality facilitates face recognition and visual comfort. Its advanced optical design enables the light to be directed specifically where it is needed.

Applications

- Parks, Pedestrian Areas and City Centres.

Electrical

- Input voltage and frequency: 220-240V, 50/60 Hz.
- Class I: Standard.
- Class II: On Request.
- Surge Protection: 6kV standard/10kV option available.
- Input Power (rated): 16W to 72W.
- Power Factor: >0.9 at 230V 50Hz.

Controls

- Electronic, programmable & dimmable (DALI and 0-10V**).
- Controllable driver with power reduction and astronomical clock availability.
- Control system inputs: DALI, StepDIM, astronomical clock and timing.

LED & Optical Performance

- Luminous Flux: From 1,160 to 7430.
- Luminaire efficacy:
 - Up to 104.81 lm/W at 3000L (Warm light)
 - Up to 109.3 lm/W at 4000K (Neutral light).
- Available photometric distributions:
 - Asymmetric Forward Clear (AFC)
 - Asymmetric Wide Clear (AWC)
 - Asymmetric Narrow Clear (ANC)
 - Asymmetric Wide Diffuser (AWD)
 - Symmetric Wide Clear (SWC)
 - Symmetric Wide Diffuser (SWD)
 - Symmetric Forward Clear (SFC)
- Rated median useful life and the associated rated LM rated factor L90 (6K)*: >96.000 hours.
- Rated colour rendering index: >70.

- Rated correlated colour temperatures: 3000K, 4000K.
- ULOR (upward light output ratio) :0
- S/P rating: 1.24 at 3000K and 1,47 at 4000k.

Mounting

- 1- and 2-arm through 42-48, 60, 76 mm standard post top mounting.
- Side mounting through 60mm diameter pole.
- Weight: 10.5 - 11.2 kg.
- Recommended mounting height: 4-6 m.
- Only one hand-tool required for maintaining the fixture.
- Ambient temperature from -30C to +50C.
- Storage temperature up to 85C.

Housing

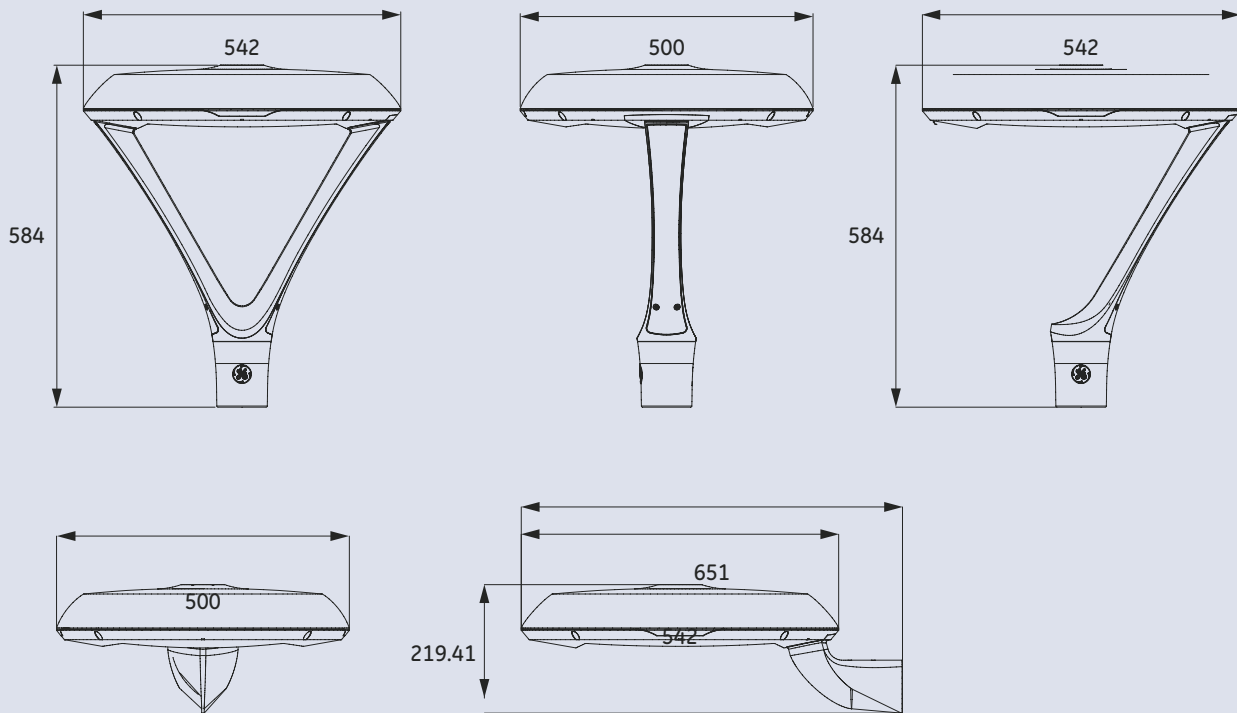
- Housing material: In three pieces (upper-housing, lower-housing and arm with coupler), all made from die-cast aluminium with a polyester powder paint finish and oven cured.
- Colour: RAL9007
- All materials used in this product are WEEE and ROHS compatible.
- Surface finish: polyester powder coat
- Optical cover: flat tempered glass

Standards & Environment

- CE, ENEC, Directive 2004/108/EC, 2009/95/EC, 2009/125/EC, 1194/2012/EU, 2011/65/EC, EN 60598, EN 55015, EN61000, EN 62493, EN 61547.

LED POST TOP LIGHTING

Navona Gen 2



Order logic

Name	Gen.	Front Glass	Optics	Power (W)	CCT (K)	Control	Accessories	IEC Protection Classes	Precabbling	Arm Type	Coupler	Color
NA	2	F-Flat Glass	AFC AWC ANC AWD SWC SWD SFC	16	30-3000 40-4000	A - Analog D - DALI Y - DynaDim	ST - Standard type SP - 6kV surge protection M3 - 35 lux Minicell	C1 - Class I C2 - Class II	N- No precabbling PX- Precabbling with XX meters*	1 - 1 arm 2 - 2 arms S - side	48 - 42- 48 mm 60 - 60mm 76- 76mm	R9007
				21								
				25								
				31								
				32								
				38								
				39								
				46								
				47								
				48								
				54								
				56								
				61								
				62								
				71								
72												

Example: ANA/2/SWC/32/30/D/ST/C1/2/60/N/R9007*

Asymmetric optics with 2 arm and symmetric optics with 1-arm and side mount not available 16, 21 and 25W available with DALI and 0-10 control, asymmetric optics, IEC Class I protection and 25W with symmetric optics and 0-10V control, IEC Class I protection only astronomical clock is available on 39W and above. Minicell available only in IEC Class 1 version with SVP In case of precabbling standard length are 2 and 10 m cable from connector, in case of other length it have to sign. Side mount option available with 60mm coupler only. Standard color is RAL9007, in case of other color have to sign the exactly RAL code number Rxxxx