

LED ROADWAY LIGHTING

Evolve P4P5 Gen3



The GE Evolve P4P5 Gen 3 was designed for Australia's P4 and P5 street lighting category and complies with SA/SNZ TS 1158.6:2015. GE's latest LED roadway fixture builds upon the successful Evolve P4P5 and by using the latest LED and driver technology delivers both improved efficiency of 135 lumen per watt and increased driver life to 100,000 hours. Plus, we now offer the option of 1-10V and DALI dimming. Always supplied with 7-pin NEMA socket to provide future compatibility with Smart Networking.



Applications

- Designed specifically to meet P4 and P5 categories of Australian road lighting standards.
- Direct one-for-one replacement for 42W CFL, 2x14W T5, 2x24W T5 and 80W MV.

Electrical

- Energy efficient 14W LED modular power, 17W total system power.
- IP67 rated driver with >100,000 hrs rated life time.
- Input voltage 220-240V, 50/60 Hz.
- IP65 rated Surge Protection Device rated at $I_n = 10\text{kA}$ ($I_{max} = 20\text{kA}$) to IEC 61643.
- System power factor >90% and THD <20%.
- Option for in-line fuse.
- Class I insulated, Class II insulated available on request.

Controls

- 1-10V or DALI dimmable. Dali 2 option available on request.
- 7-pin NEMA socket prewired for dimming and digital & analogue sensor inputs to ANSI C136.41.

LED & Optical Performance

- Utilises unique lens design and the latest LED technology to achieve maximum spacing's comply with AS1158.3.1 Category P.
- Optical chamber independently sealed to IP66.
- CCT 4000K standard – 3000K and custom optics available on request.
- Upward light output ratio (ULOR) = 0.
- Front or backward glare shielding visors available as accessories.

Mounting

- Horizontal mounting position with 27-34mm spigot side entry.
- Adjustable mounting angles +/-5 degrees.

Finish

- Robust resistant polyester powder coat finish.
- Standard colour is silver grey, with black and special RAL colours available upon request.

LED ROADWAY LIGHTING

Evolve P4P5 Gen3



Housing

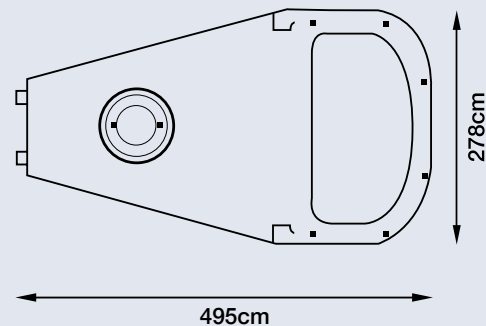
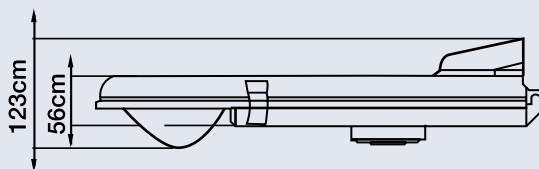
- Stylish slim lightweight design at 4.5kg.
- Very small sail/windage area of only 0.05 m².
- Self-cleaning visor to minimize light loss due to dirt accumulation results in a highly energy efficient and low maintenance luminaire.
- IK09 Impact rated.
- Available with IP44 or IP66 ingress protection for control gear chamber.
- Tool-less entry to control gear chamber using stainless steel quick release clips and removeable gear tray via bottom cover.

Standards & Environment

- Complies with technical specification SA/SNZ TS 1158.6:2015 – Luminaires Performance.
- Meets ANSI 2G vibrations standard.
- EMC complaint to AS/NZS CISPR15.
- Complaint with RoHS2 – Restriction of Hazardous Substances Directive (EU) 2017/2102.
- Ambient operating temperature -40 to +50 Degrees Celsius.

Approvals^

- GE's Evolve P4P5 luminaire is registered on NEM's load table for unmetered loads.
- The luminaire is type-approved by various Distribution companies and Councils around Australia.



Product ID	Module	Power System	Optical	CCT	Dimming	Finish Colour	IP	Fuse
ERR= LED Evolve Roadway Residential	A= Standard	17 = 17W (4000K) 18 = 18W (3000K)	P = P4/P5	40 = 4000K 30 = 3000K	V = 1-10V D = DALI D2 = DALI2	SG = Silver Grey BK = Black	44 = IP44 66 = IP66	F = In-line Fuse

Accessories

SKU	Model Number	Description
SHR0001R	P4P5VMF	Visor masked for glare shielding at the front of the luminaire
SHR0002R	P4P5VMB	Visor masked for glare shielding at the back of the luminaire
S290163	NA	PE CELL NEMA 8000 Series Long Life
SJL208BLK	NA	Shorting Cap*