

LED ROADWAY LIGHTING

ECO R250 Gen 2



The GE ECO R250 Gen2 has been designed for Australia's main road lighting applications, complying with SA/SNZ TS 1158.6 and AS/NZS 60598.2.3. GE's latest LED roadway fixture builds upon the successful ECO R250 Gen1 and R250. We now offer the option of 1-10V and DALI dimming. Always supplied with 7-pin NEMA socket to provide future compatibility with Smart Control/Smart City applications.

INTEGRATED
SMART
TECHNOLOGY

Product – key features

- Luminaire optics designed specifically to provide best spacing compliance with AS 1158.1.1, V (major roads) category of Australian road lighting standards
- Direct one-for-one replacement for High Pressure Sodium and Metal Halide luminaires
- 7-pin NEMA base as standard
- IK08 impact rating
- New IP67 rated driver with DALI option and 100,000hr life

Electrical

- System wattage ranging from 40W to 320W
- Input voltage 200-240V – 50/60 Hz
- IP67 rated driver with >100,000 hrs rated life time
- System power factor >0.95@220V AC
- IP67 Surge Protection device rated at 10kA/20kV

LED & Optical Performance

- Unique lens design with latest COB LEDs delivering 120 lm/W at 4000K
- Lumen maintenance - L90 at 100,000 hrs
- CRI > 70
- Optical chamber independently sealed to IP66
- CCT 4000K standard. Other CCTs optional
- Upward light output ratio (ULOR) = 0

Controls

- 1-10V or Dali 1 and Dali 2 dimmable
- 7-pin NEMA socket prewired for dimming, feature enabled for smart city applications, digital & analogue sensor inputs to ANSI C136.41

Housing

- Self clean heat sink design
- IK08 impact rating
- Tool-less entry to control gear chamber
- Activated breather in light engine and gear box for thermal dissipation, reduce mist on front glass while balancing pressure inside and outside
- Added protection to LEDs with robust front glass

Finish

- Robust and resistant polyester powder coat finish
- Standard colour is Silver Grey, with Black and other RAL colours available as options

Mounting

- Horizontal mounting position with 42-60mm spigot side entry
- Adjustable mounting angles +/- 5 degrees

Standards

- EMC compliant to AS/NZS CISPR15
- Ambient operating temperature -40 to +50 Degrees Celsius
- Meets ANSI 2G vibrations standard
- Complies with technical specification SA/SNZ TS 1158.6:2015 – Luminaires Performance
- Compliant with RoHS2- Restriction of Hazardous Substances Directive (EU) 2017/2012

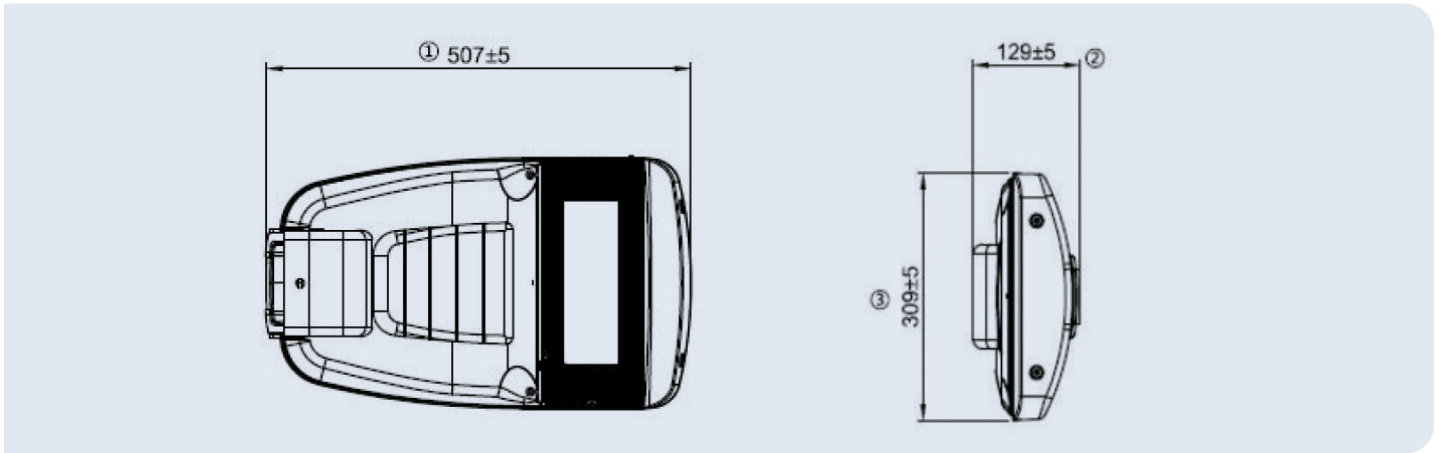
LED ROADWAY LIGHTING

ECO R250 Gen 2



Fixture dimensions (mm)

One module size



Effective Projective Area	1 modules - 0.094m ²
	2 modules - 0.120m ²
	3 modules - 0.139m ²
	4 modules - 0.180m ²
	5 modules - 0.221m ²

Weight and Dimensions (L x W x H)	1 modules - 7.3kg	507 x 309 x 129mm
	2 modules - 9.3kg	604 x 309 x 129mm
	3 modules - 12.0kg	762 x 309 x 129mm
	4 modules - 13.9kg	882 x 309 x 129mm
	5 modules - 13.9kg	1017 x 309 x 129mm

Order logic

Product ID	Gen.	Voltage	Distribution	CCT	System Wattage*	Dimming	Finish**	Control
ERMS = LED Roadway Modular Systems	G2	U = 120-277V 50/60 Hz	S = Short 3 = Type III	N = 4000K	40W	V = 0-10V D = DALI	SG = Silver Grey (RAL9007)	PE7 = 7-pin NEMA
					80W			
					120W			
					160W			
					200W			
					240W			
					280W			
					320W			

Accessories

- Smart pole spigot adaptor/reducer
- Glare shields - front, back and side
- Post top adaptor/coupler
- Light point controllers (smart node), PE cell and PE shorting cap

* Other wattages available as per customer request

** Other colour finishes available as per requirement